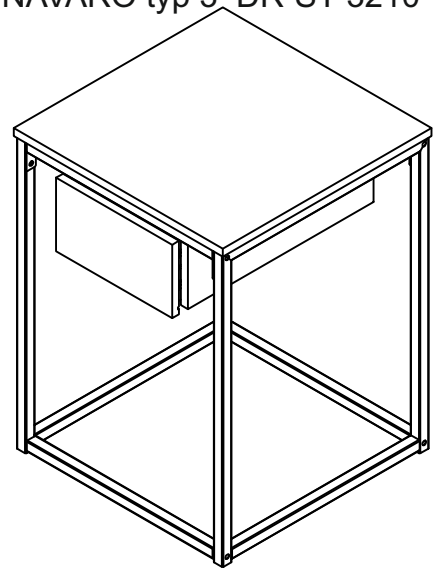
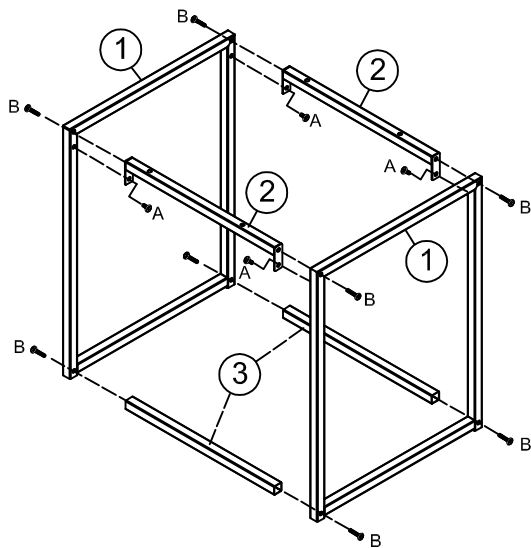


NAVARO typ 3 DR-ST-3210

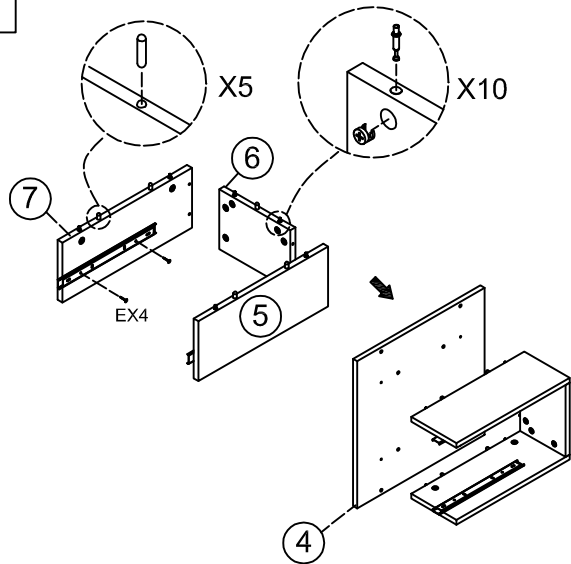
| | | | | |
|--------------------|--------------------|--------------------|----------------------|--------------------|
| A M6×12mm 4x | B M6×40mm 8x | C M6×30mm 4x | D L-Bracket 1x | E M4×12mm 8x |
| F M4×40mm 4x | G Pin 5x | H Screw 14x | I Bracket 2x | J Washer 14x |
| 1 Frame 2x | 2 Bracket 2x | 3 Bracket 2x | 4 Plate 1x | 5 Plate 1x |
| 6 Plate 1x | 7 Plate 1x | 8 Plate 1x | 9 Plate 1x | 10 Plate 1x |
| 11 Plate 1x | 12 Plate 1x | | | |



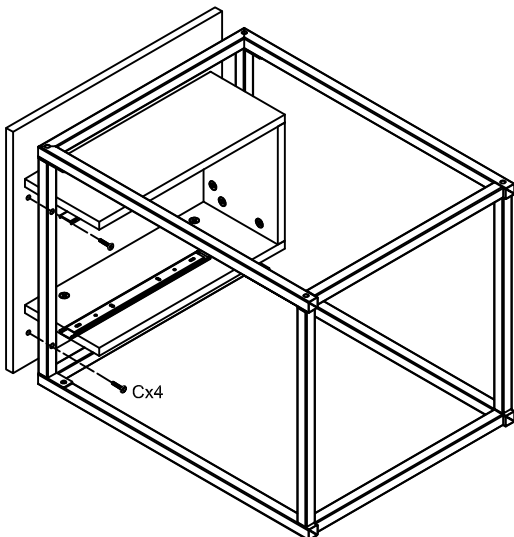
1



2



3



4

